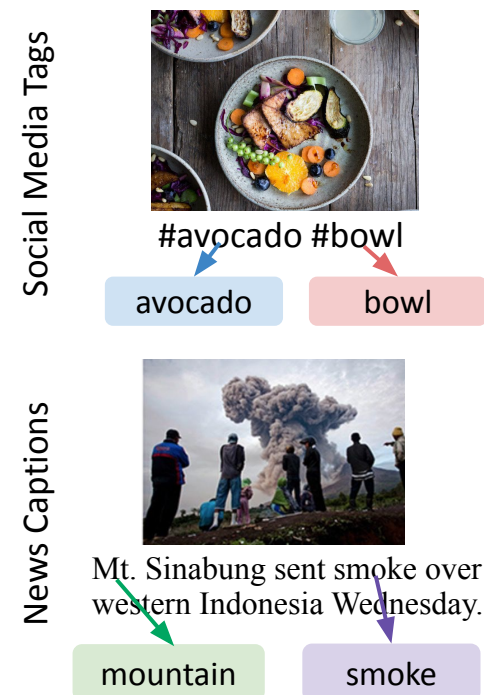
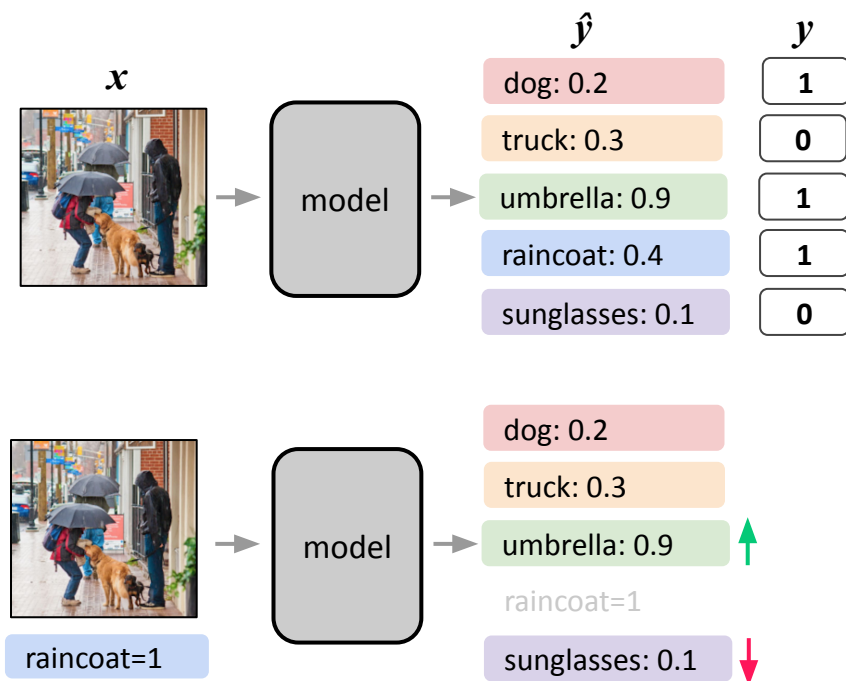


General Multi-label Image Classification with Transformers

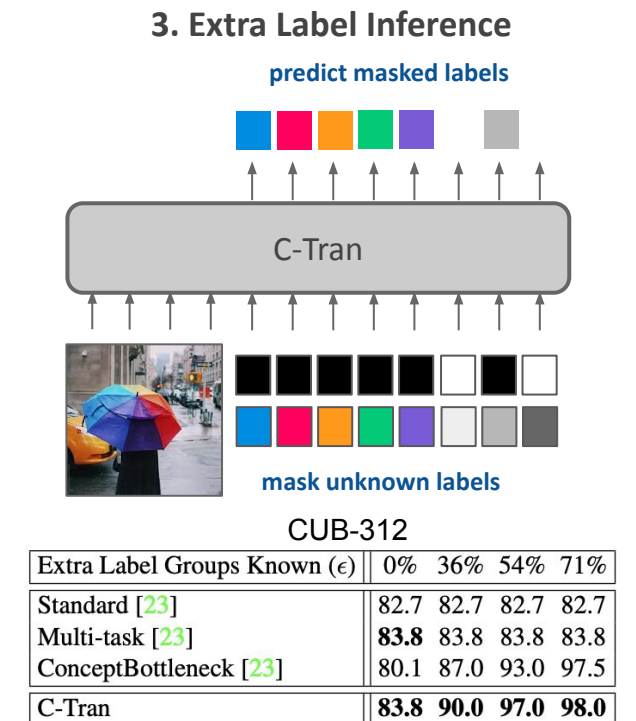
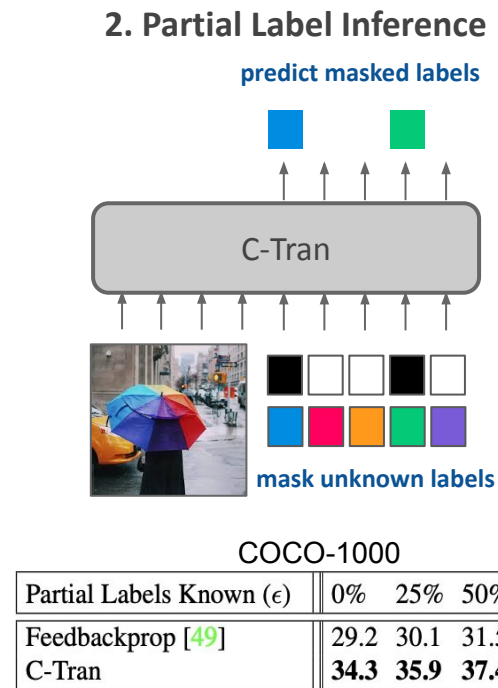
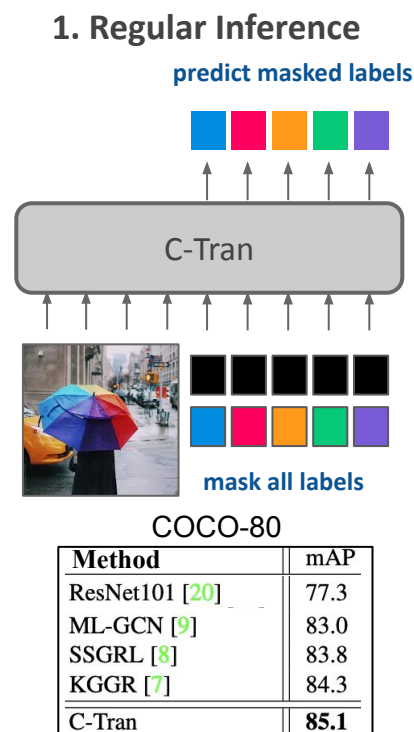
Jack Lanchantin, Tianlu Wang, Vicente Ordóñez Román, Yanjun Qi



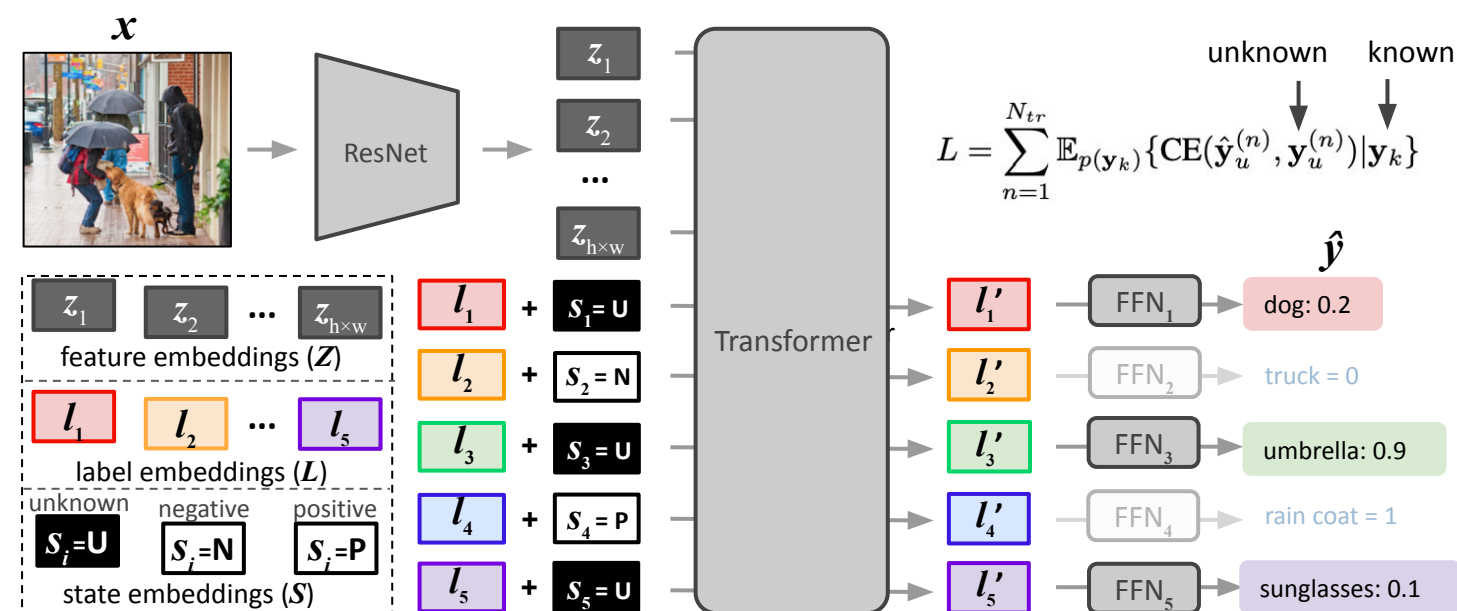
1. Multi-label Image Classification with Partial Labels



3. Three Different Inference Settings



2. Classification Transformer (C-Tran)



4. Qualitative Results

